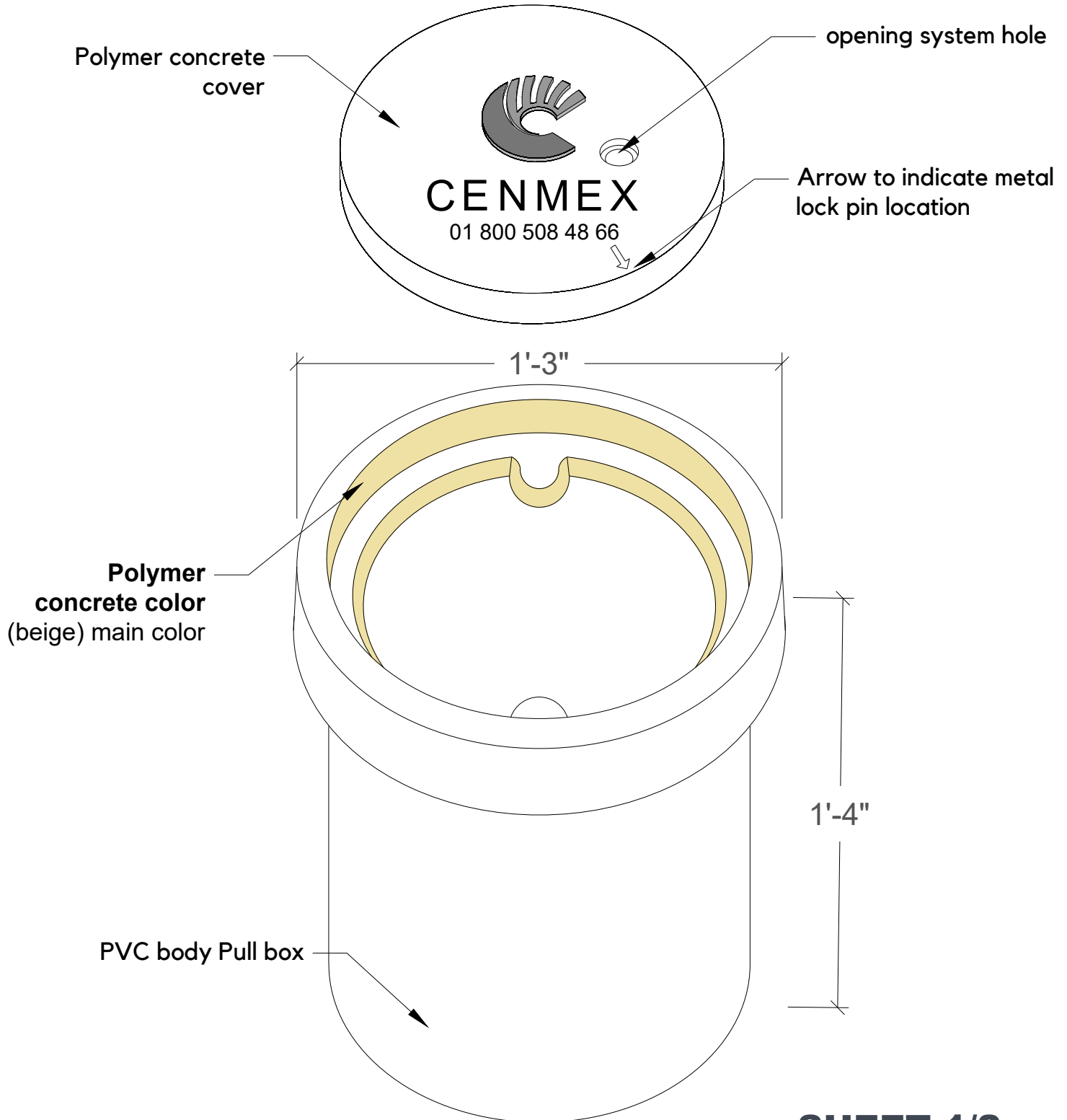


*Overview

Hosting electrical wires in electrical underground grids

RAL-14



*Approximate weight

Pull box: 14 lb

Cover: 11 lb.

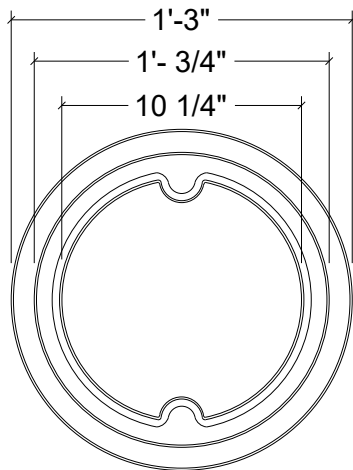
*Load rating

Pedestrian rated

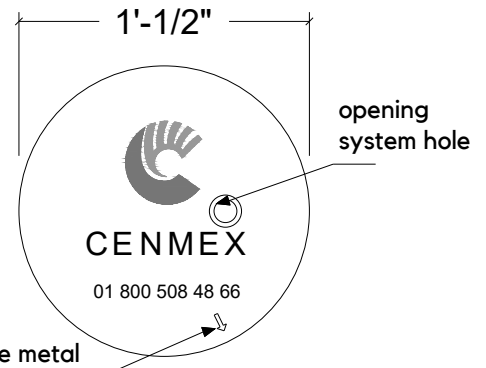
SHEET 1/2

Unscaled

Tolerances: +- 1.5 %	Standard: N/A Issue Date: N/A
Dimensions: In & Ft	Drawing No. RAL-14
Level Revision: 0	Date: Dec/10/2018

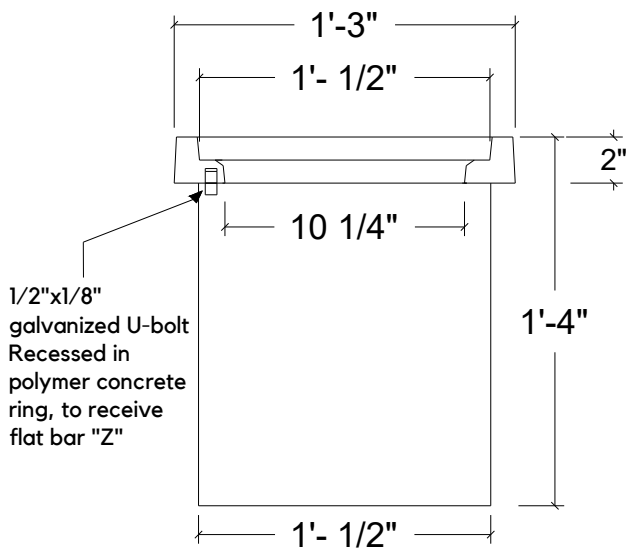


Plan View

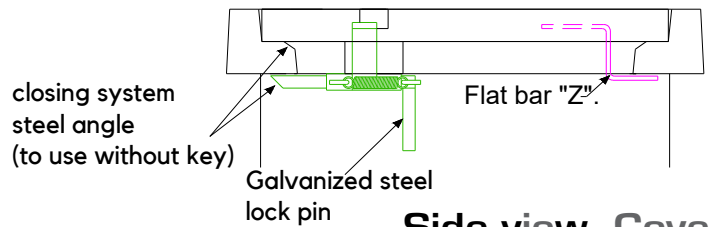


Arrow to indicate metal lock pin location

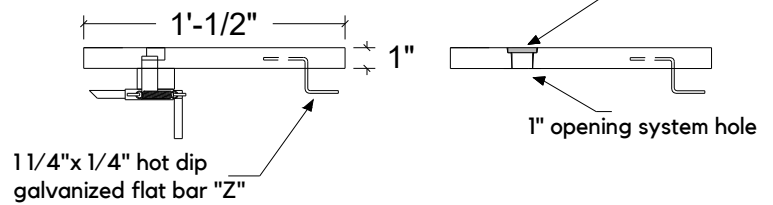
Plan View Cover



Side view Pull box



Side view Cover



Security System Cover Detail

- 1.- Polymer concrete $f'c = 11,379$ psi.
- 2.- Fiberglass reinforcement polymer concrete cover
- 3.- Fiberglass reinforcement polymer concrete ring and cover.
- 4.- Plastic round hole plug.
- 5.- Stainless steel spring.
- 6.- Strength mechanical cover: 2,686 lbf.
- 6.- Load rating: Pedestrian rated.
- 8.- Approximate weight:
 - Cover: 11 lb
 - Pull box: 14 lb
- 9.- Polymer concrete color: Beige (main color)
Another colors: gray, blue, red, green, brown, white, yellow...etc.

SPECIFICATIONS

SHEET 2/2

Unscaled

Tolerances: $\pm 1.5\%$	Standard: N/A Issue Date: N/A
Dimensions: In & Ft	Drawing No. RAL-14
Level Revision: 0	Date: Dec/10/2018