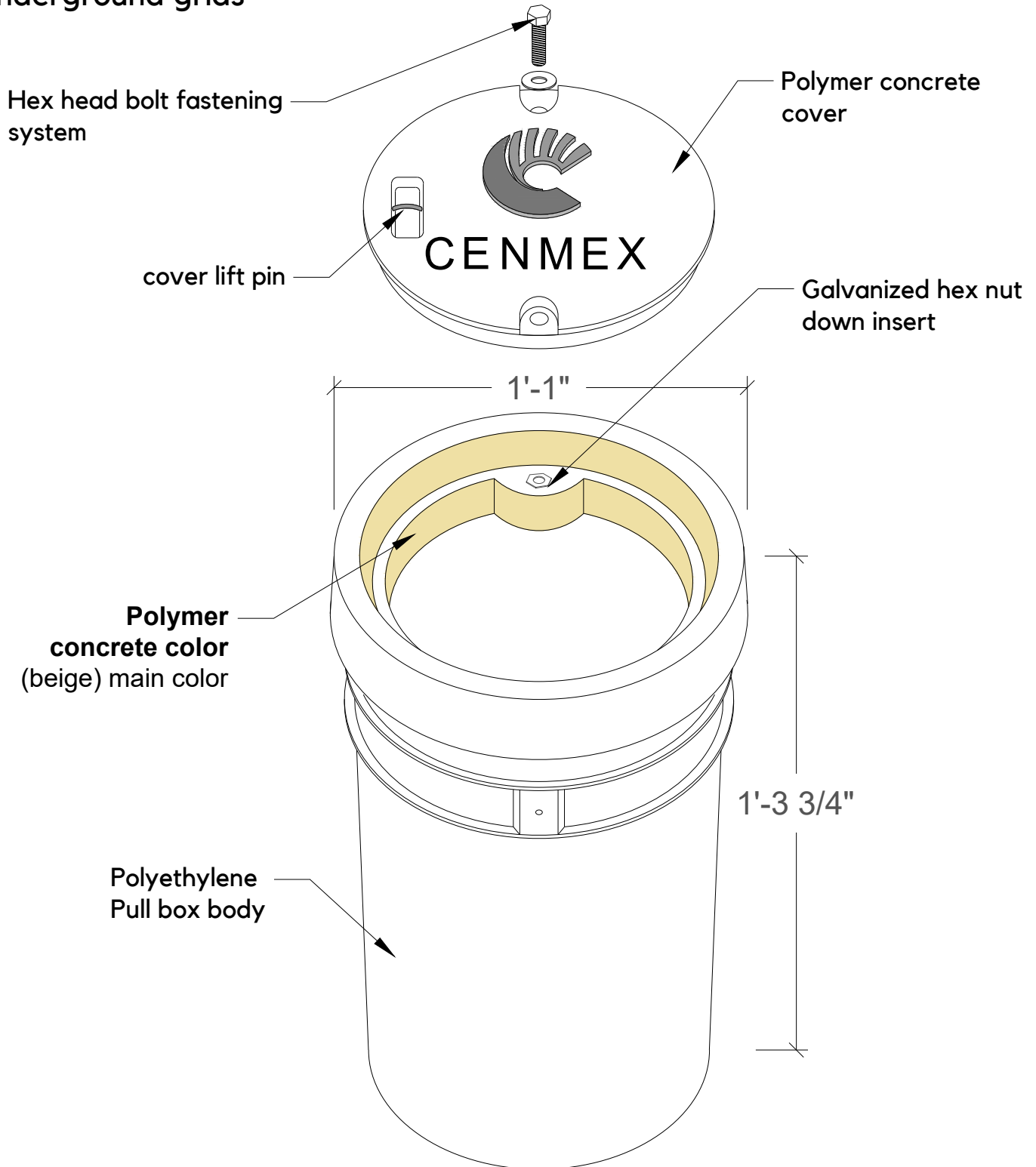


## \*Overview

Hosting electrical wires in electrical underground grids

**RAL-13**



## \*Approximate weight

Pull box: 10 lb  
Cover: 6 lb.

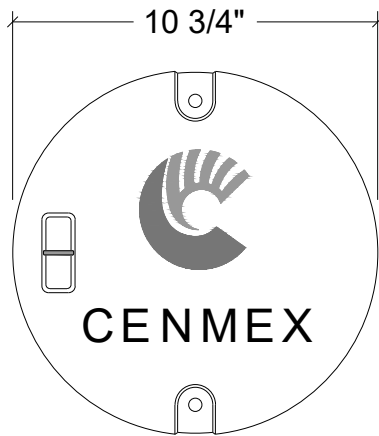
## \*Load rating

Pedestrian rated

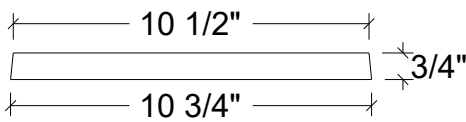
## SHEET 1/2

Unscaled

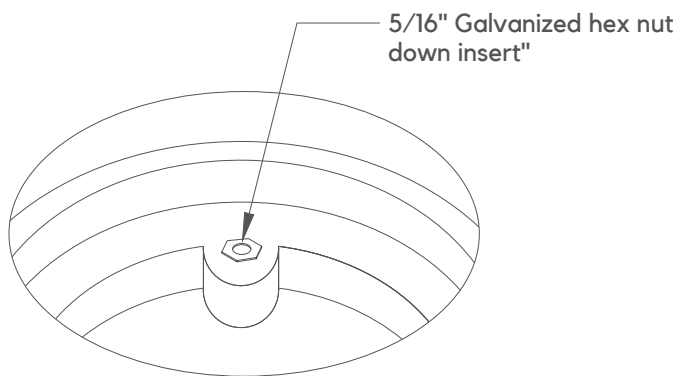
Tolerances: +- 1.5 %	Standard: N/A Issue Date: N/A
Dimensions: In & Ft	Drawing No. RAL-13
Level Revision: 0	Date: Dec/10/2018



**Plan View Cover**

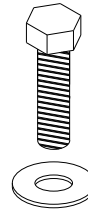


**Side view Cover**

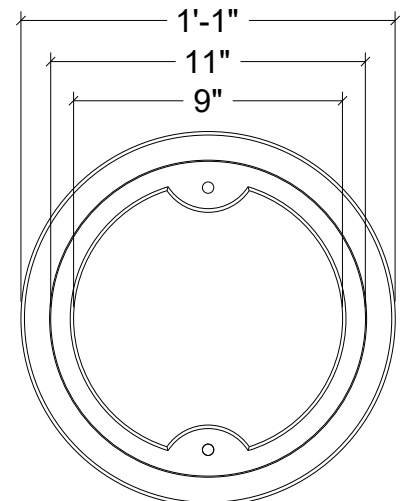


**Hex Nut Detail**

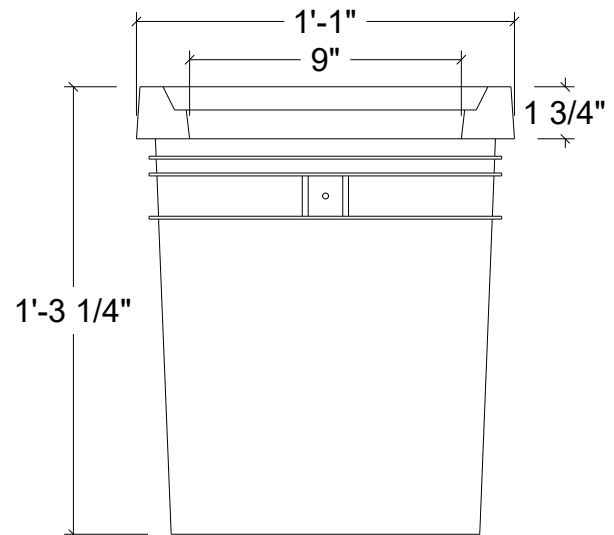
**Galvanized Hex head Bolt  
1 1/2 " x 5/16 "**



**Bolt detail**



**Plan View**



**Side view Pull box**

- 1.-Polymer concrete f'c= 11,379 psi.
- 2.-Fiberglass reinforcement.
- 3.-Dielectric product.
- 4.-Galvanized bolts.
- 5.-(-2) 5/16" Hex head bolt fastening system.
- 6.-Pull slot with 1/8" center pin, to easy handle lift cover
- 7.-Load rating:Pedestrian rated.
- 8.-Approximate weight:
  - Cover: 6 lb
  - Pull box: 10 lb
- 9.-Polymer concrete color:beige (main color).

Another colors: gray,blue,red,green,brown,white,yellow...etc.

## SPECIFICATIONS

### **SHEET 2/2**

Unscaled

<b>Tolerances:</b> +- 1.5 %	Standard: N/A Issue Date: N/A
<b>Dimensions:</b> In & Ft	<b>Drawing No.</b> RAL-13
<b>Level Revision:</b> 0	<b>Date:</b> Dec/10/2018