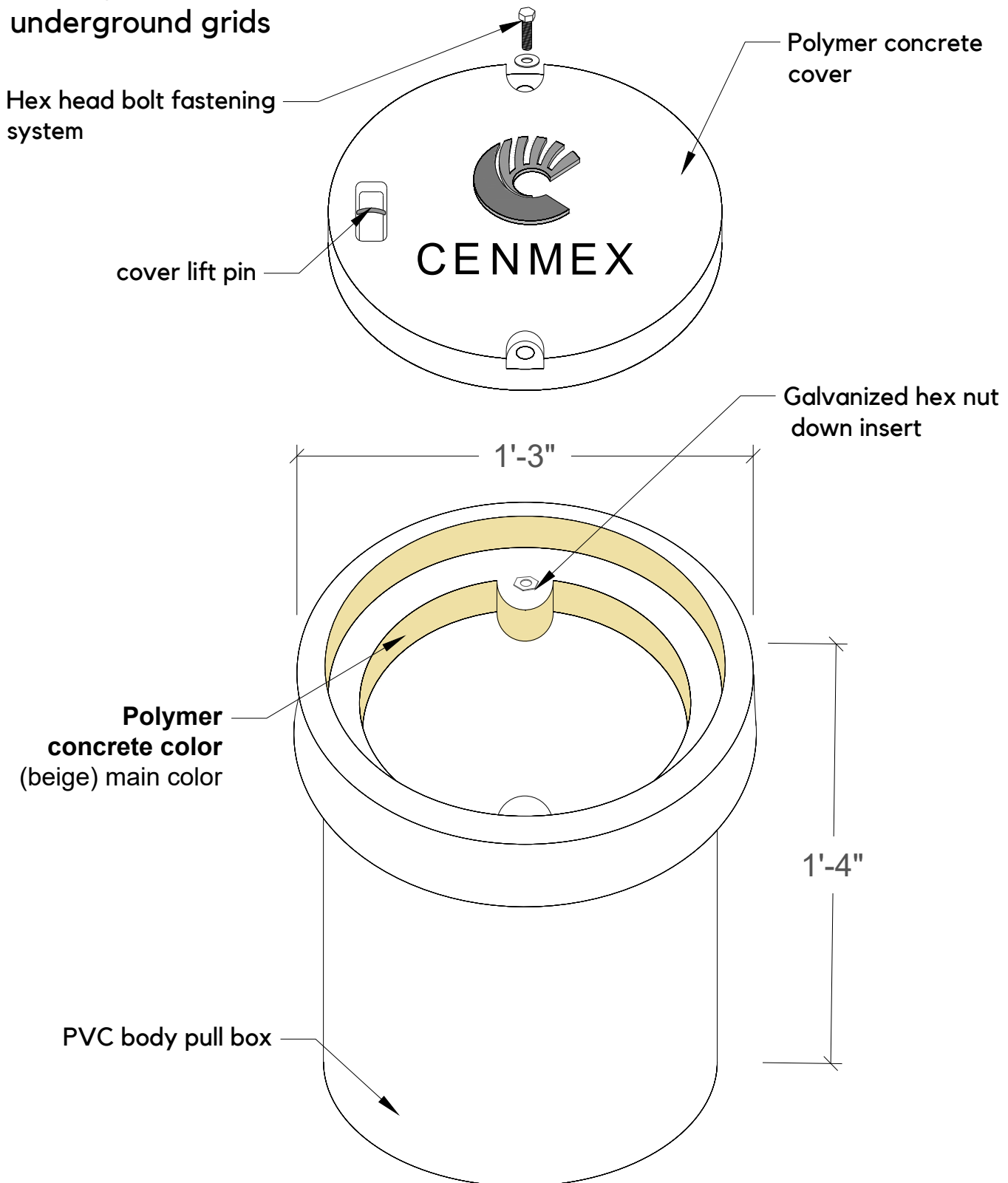


***Overview**

Hosting electrical wires in electrical underground grids

RAL-11



***Approximate weight**

Pull box: 14 lb
Cover: 9 lb.

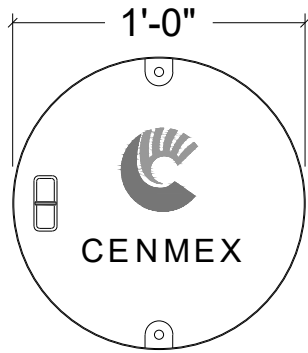
***Load rating**

Pedestrian rated

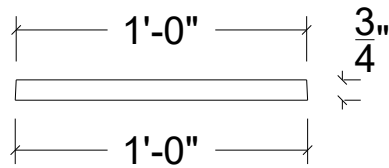
SHEET 1/2

Unscaled

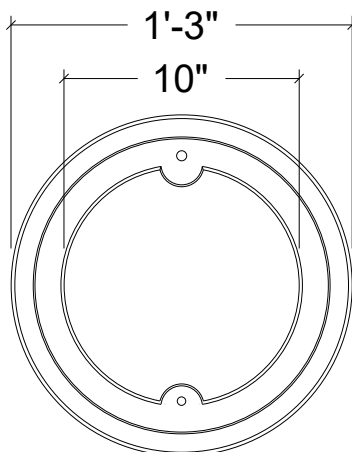
Tolerances: +- 1.5 %	Standard: N/A Issue Date: N/A
Dimensions: In & Ft	Drawing No. RAL-11
Level Revision: 0	Date: Dec/10/2018



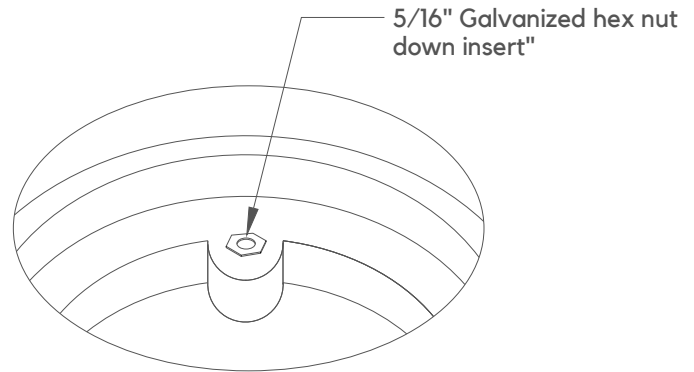
Plan View Cover



Side view Cover



Plan View

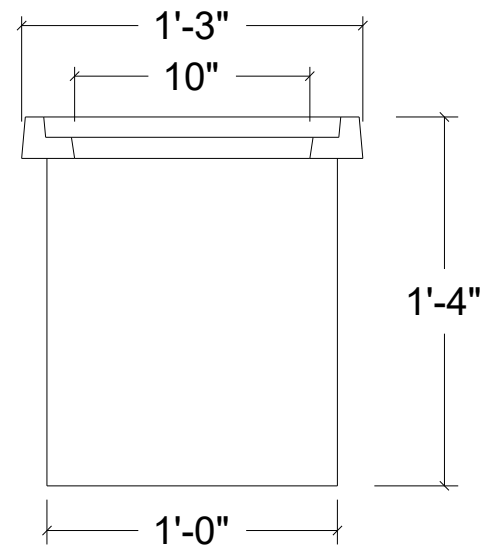


Hex Nut Detail

Galvanized Hex head Bolt
1 1/2 " x 5/16 "



Bolt Detail



Side view Pull box

- 1.-Polymer concrete $f'c = 11,379$ psi.
- 2.-Fiberglass reinforcement.
- 3.-Dielectric product.
- 4.-Galvanized bolts.
- 5.- (2) 5/16" Hex head bolt fastening system.
- 6.-Pull slot with 1/8" center pin, to easy handle lift cover
- 7.-Load rating: Pedestrian rated.
- 8.-Approximate weight:
 - Cover: 9 lb.
 - Pull box: 14 lb.
- 9.-Polymer concrete color: beige (main color).
Another colors: gray, blue, red, green, brown, white, yellow...etc.

SPECIFICATIONS

SHEET 2/2

Unscaled

Tolerances: +- 1.5 %	Standard: N/A Issue Date: N/A
Dimensions: In & Ft	Drawing No. RAL-11
Level Revision: 0	Date: Dec/10/2018