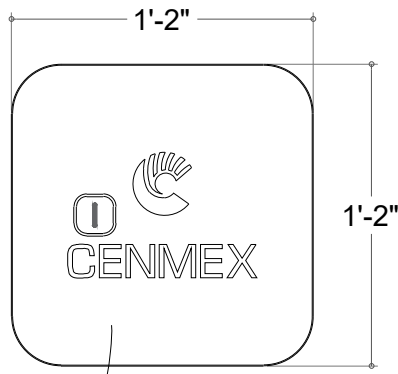
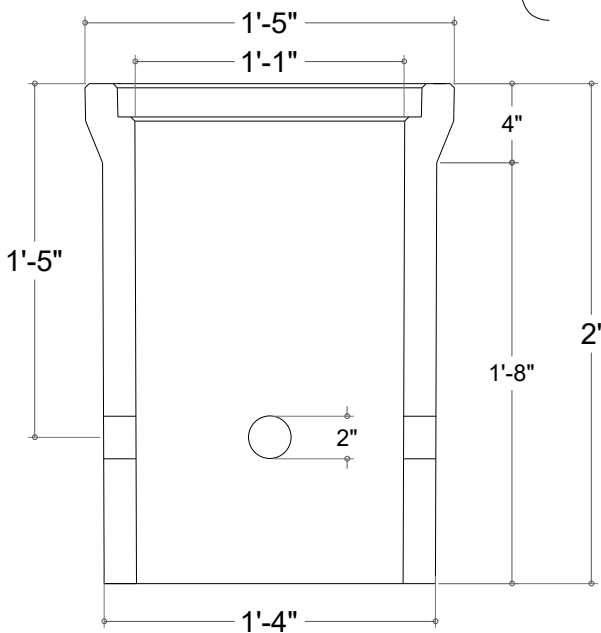


Plan View Pull Box

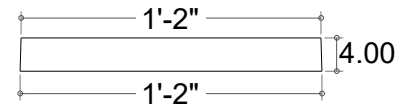


Plan View Cover



Section A-A'

Broom Finish concrete



Side View Cover

1. Reinforced concrete Pull box, with open bottom.
2. 1 1/2" Thickness wall.
3. 2" Duct terminator, one each wall.
4. Polymer or hydraulic concrete cover.
5. Pull slot 1/8" center pin, to easy handle lift cover.
6. Load rating :Pedestrian rated.
7. Approximate weight:
 - Cover: 26.5 lb
 - Pull box: 158.8 lb

ESPECIFICACIONES

COVER OPTIONS

Hydraulic concrete Polymer concrete



NOTE: POLYMER CONCRETE COVER
PERSONALIZATION
OPTIONS, WITH CLIENT LOGO AND/OR COLOR.
*CONSULT YOUR SALES EXECUTIVE.

Tolerances: +- 1.5 %	Standard: N/A Issue Date: N/A
Dimensions: In & Ft	Drawing No. RAL-019
Level Revision: 0	Date: Jun/16/2020