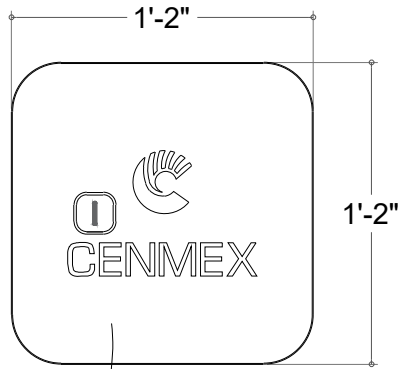
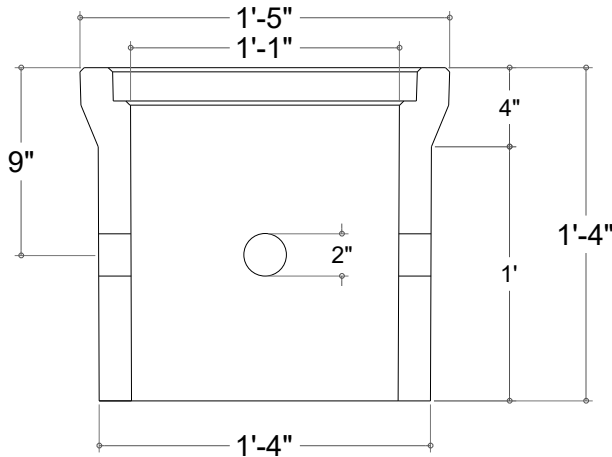
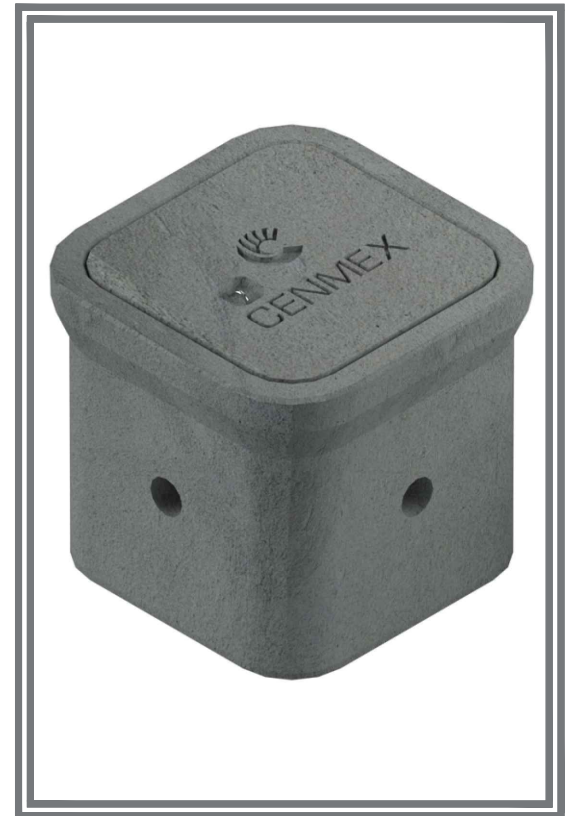


**Plan View Pull Box**

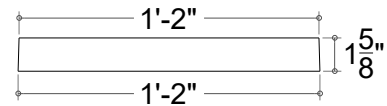


**Plan View Cover**

Broom Finish concrete



**Section A-A'**



**Side View Cover**

1. Reinforced concrete Pull box, with open bottom.
2. 1 1/2" Thickness wall.
3. 2" Duct terminator, one each wall.
4. Polymer or hydraulic concrete cover.
5. Pull slot 1/8" center pin, to easy handle lift cover.
6. Load rating :Pedestrian rated.
7. Approximate weight:
  - Cover: 26.5 lb
  - Pull box: 108 lb

## ESPECIFICACIONES

### COVER OPTIONS

Hydraulic concrete Polymer concrete



NOTE: POLYMER CONCRETE COVER  
PERSONALIZATION  
OPTIONS, WITH CLIENT LOGO AND/OR COLOR.  
\*CONSULT YOUR SALES EXECUTIVE.

<b>Tolerances:</b> +- 1.5 %	Standard: N/A Issue Date: N/A
<b>Dimensions:</b> In & Ft	<b>Drawing No.</b> RAL-020
<b>Level Revision:</b> 0	Date: Jun/16/2020