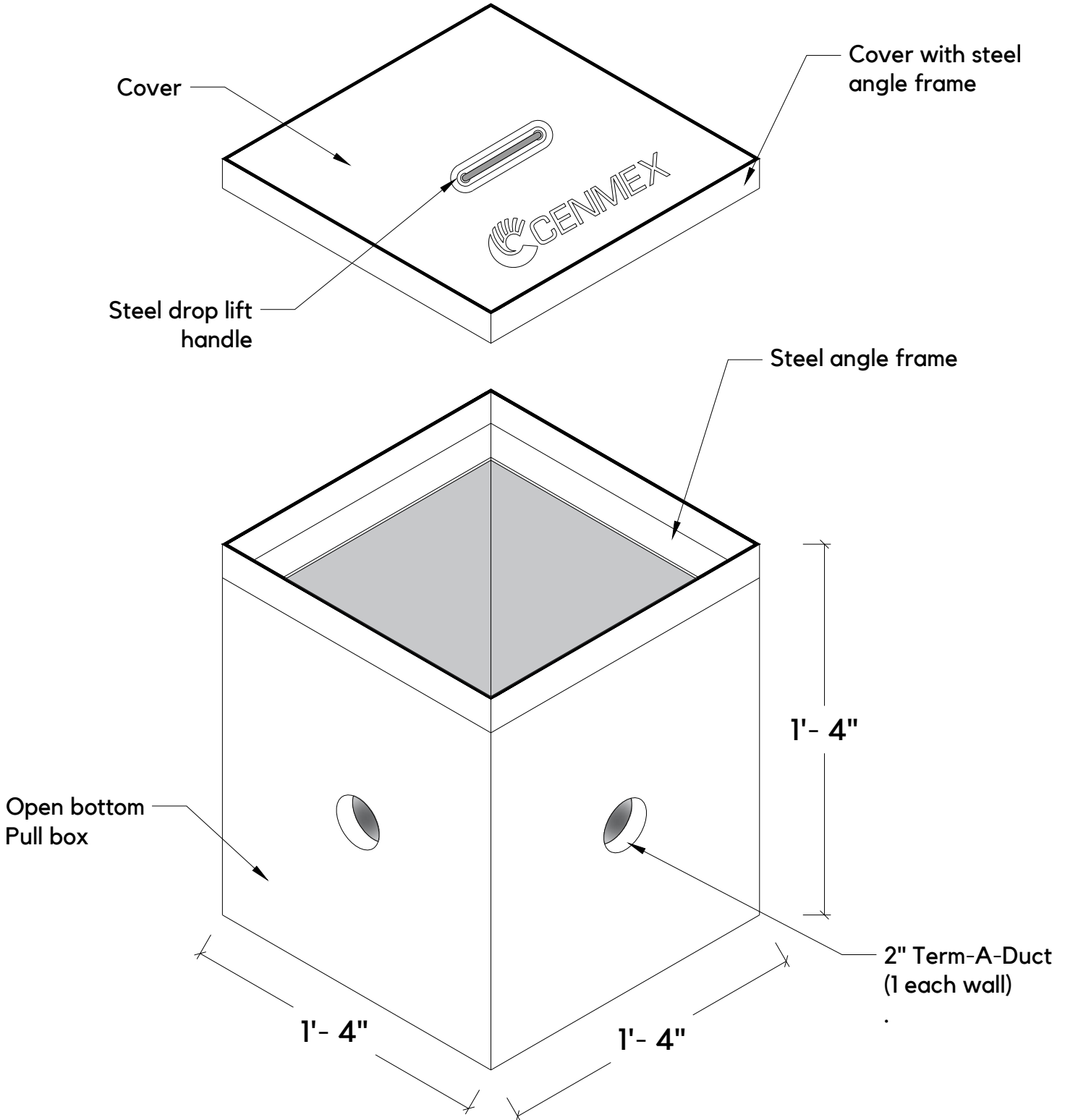


***Overview**

Hosting electrical wires in electrical underground grids

RAL-02



***Approximate Weight**

Pull Box: 106 lb

Cover: 51 lb.

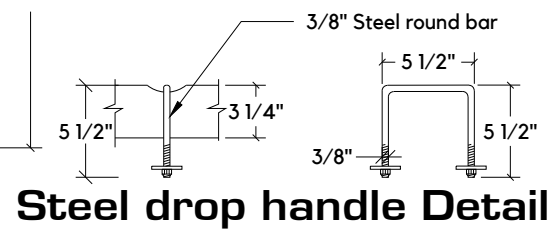
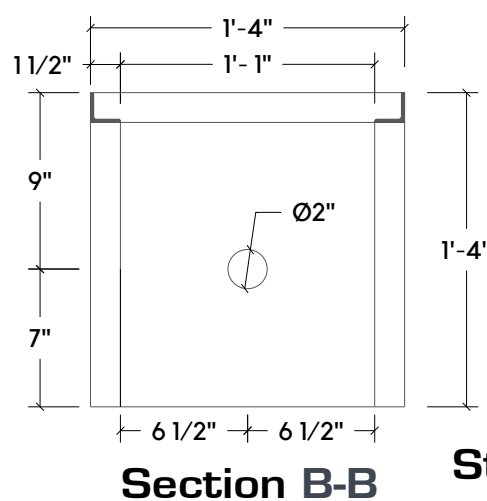
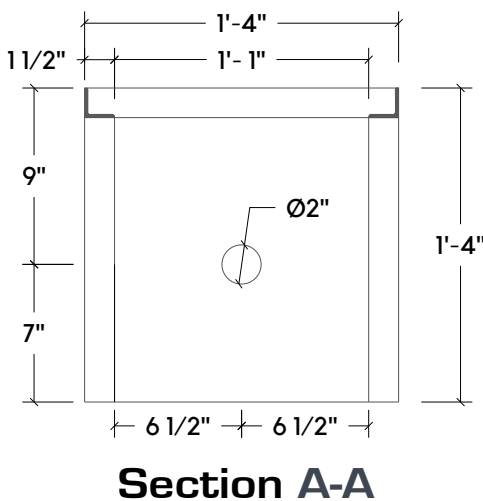
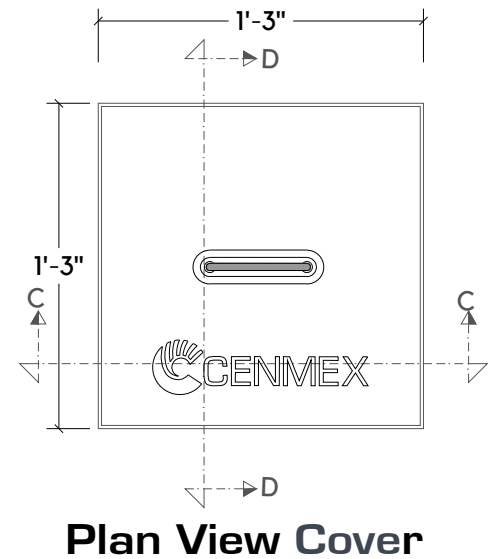
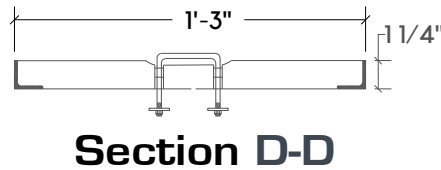
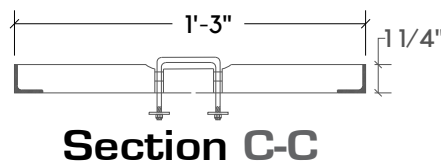
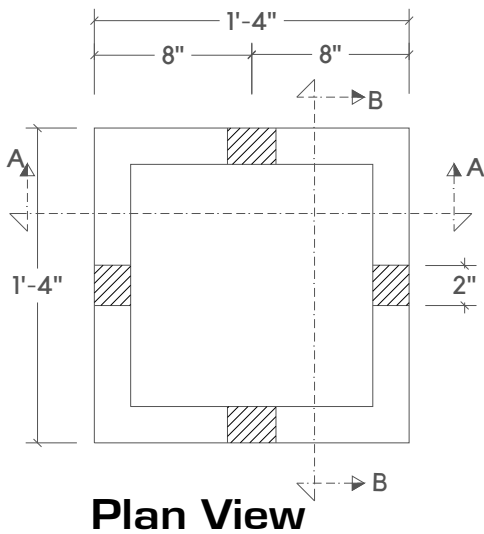
***Load rating**

Pedestrian rated

SHEET 1/2

Unscaled

Tolerances: +- 1.5 %	Standard: N/A Issue Date: N/A
Dimensions: In & Ft	Drawing No: RAL-02
Level Revision: 0	Date: Dec/10/2018



1. Concrete $f'c = 2845$ psi.
2. Wire mesh reinforcement steel.
3. Steel angle frames.
4. Galvanized Steel angle frames. or non-corrosive red painting.
5. Steel drop handle: 3/8" galvanized or natural color finish steel round bar.
4. Application of membrane curing for Concrete.
5. Load rating: Pedestrian rated.
6. Approximate Weight:
 - Pull Box: 106 lb
 - Cover: 51 lb.

SPECIFICATIONS

SHEET 2/2

N/A Unscaled

Tolerances: +- 1.5 %	Standard: N/A
Dimensions: In & Ft	Issue Date:
Level Revision: 0	Drawing No: RAL-02
	Date: Dec/10/2018