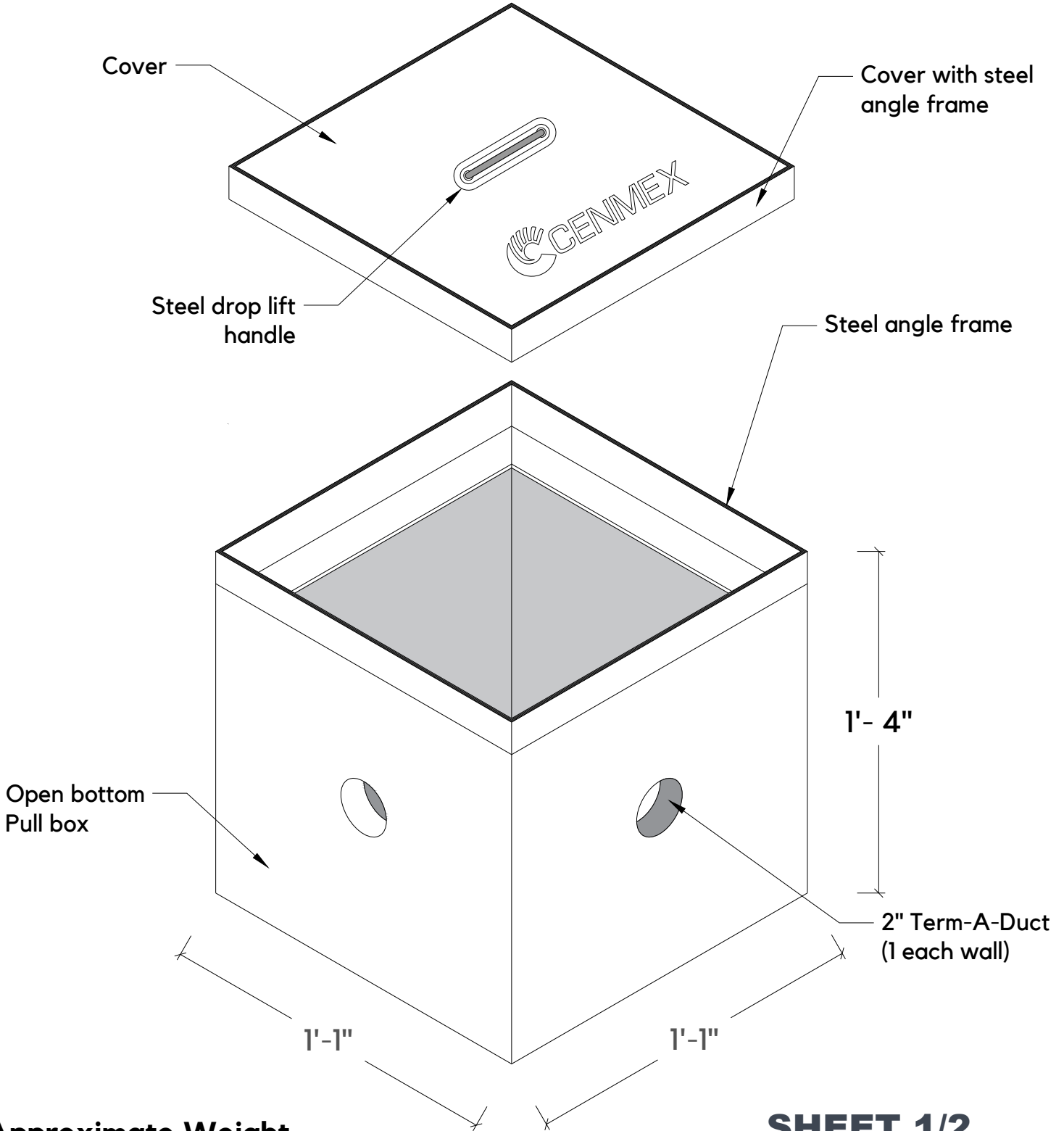


**\*Overview**

Hosting electrical wires in electrical underground grids

**RAL-01**



**\*Approximate Weight**

Pull Box: 86 lb  
Cover: 35 lb.

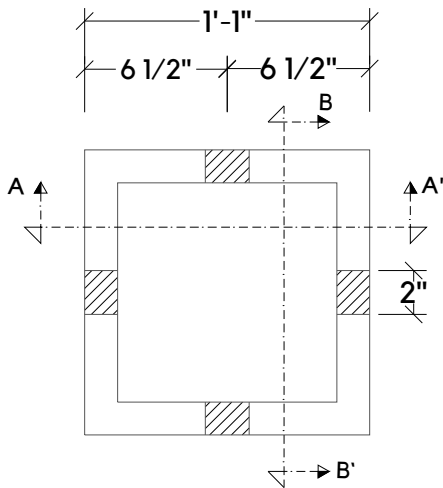
**\*Load rating**

Pedestrian rated

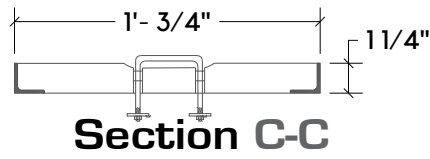
**SHEET 1/2**

Unscaled

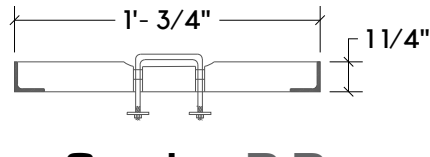
Tolerances: +- 1.5 %	Standard: N/A Issue Date: N/A
Dimensions: In & Ft	Drawing No: RAL-01
Level Revision: 0	Date: Dec/10/2018



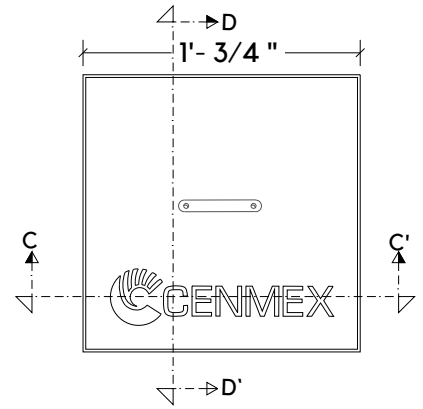
**Plan View**



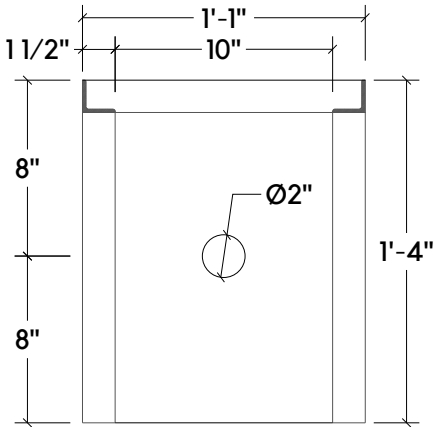
**Section C-C**



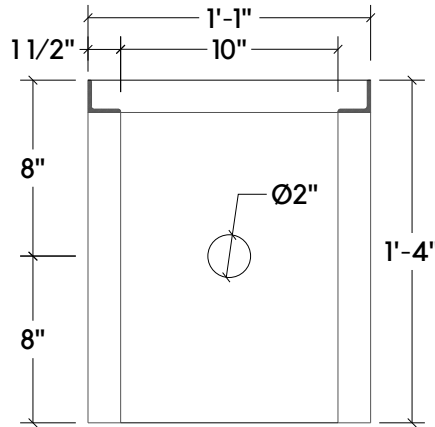
**Section D-D**



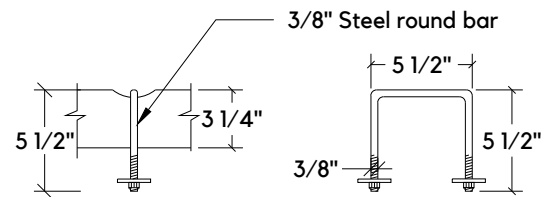
**Plan View Cover**



**Section A-A**



**Section B-B**



**Steel drop handle Detail**

1. Concrete  $f'c = 2845$  psi.
2. Wire mesh reinforcement steel.
3. Steel angle frames.
4. Galvanized Steel angle frames. or non-corrosive red painting.
5. Steel drop handle: 3/8" galvanized or natural color finish steel round bar.ed.
4. Application of membrane curing for Concrete.
5. Load rating: Pedestrian rated.
6. Approximate Weight:
  - Pull Box: 86 lb
  - Cover: 35 lb.

**SPECIFICATIONS**

**SHEET 2/2**

Unscaled

<b>Tolerances:</b> +- 1.5 %	Standard: N/A Issue Date: N/A
<b>Dimensions:</b> In & Ft	<b>Drawing No:</b> RAL-01
<b>Level Revision:</b> 0	<b>Date:</b> Dec/10/2018