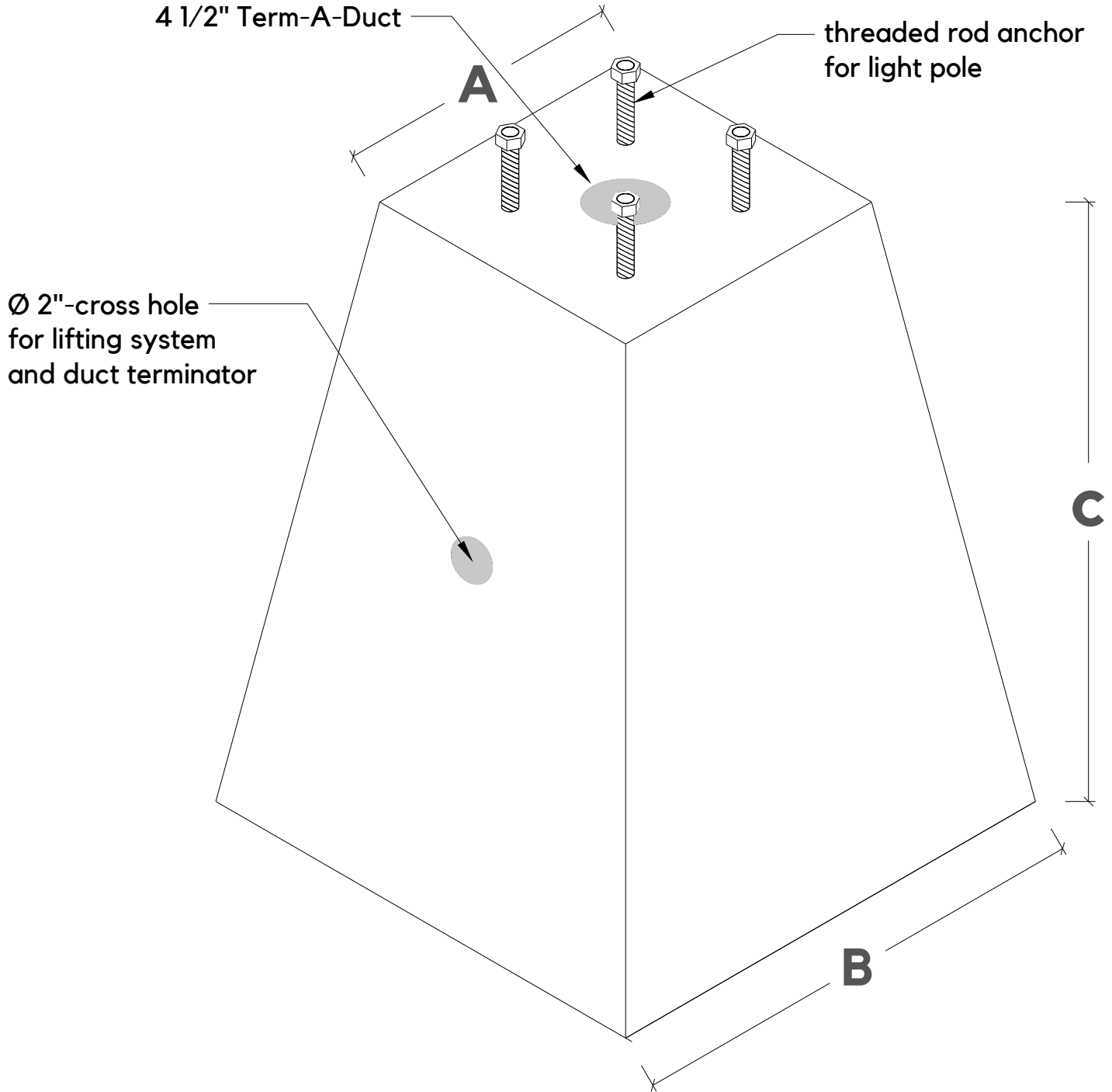


**\*Overview**

Foundation for light pole

**BPA-02**



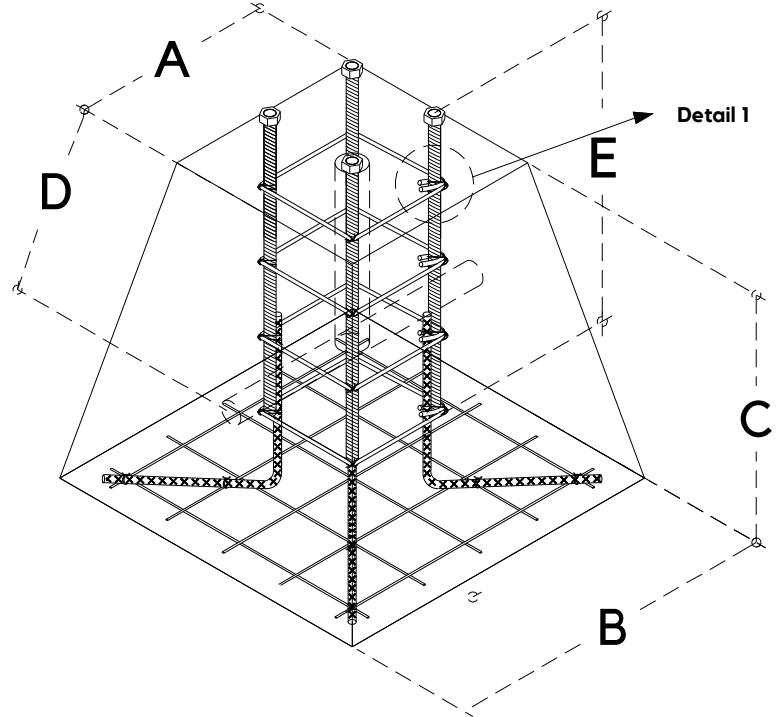
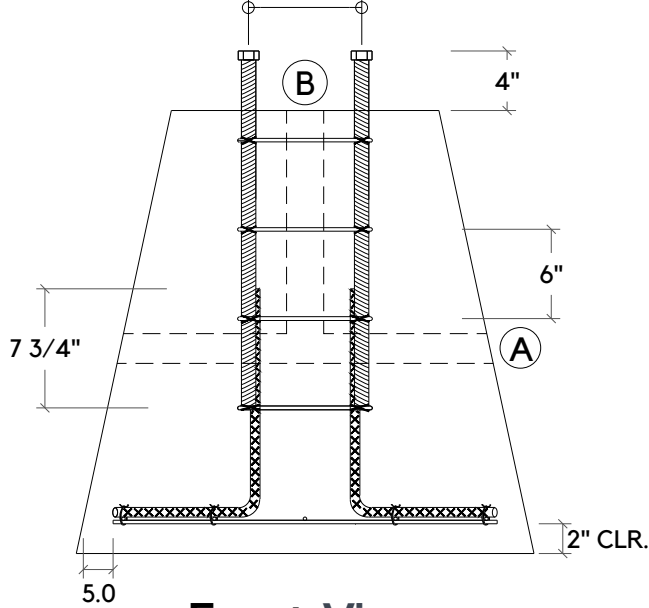
DIMENSION	A	B	C	APPROXIMATE WEIGHT
1'- 4"x2'-5 1/2"x2'-3 1/2"	1'- 4"	2'-5 1/2"	2'-3 1/2"	1,116 lb
11 3/4"x2'-7 1/2" 2'-7 1/2"	11 3/4"	2'-7 1/2"	2'-7 1/2"	1,288 lb
1'- 4"x2'-7 1/2" 3'-3 1/4"	1'- 4"	2'-7 1/2"	3'-3 1/4"	1,764 lb
1'- 4"x2'-7 1/2" 11'- 4"	1'- 4"	2'-7 1/2"	11'- 4"	2,470 lb

**SHEET 1/2**

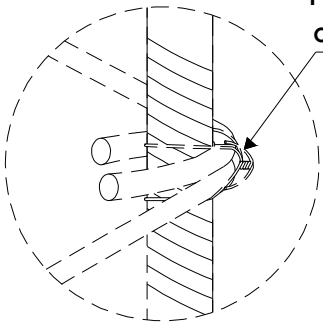
Unscaled

Tolerances: +- 1.5 %	Standard: N/A Issue Date: N/A
Dimensions: In & Ft	Drawing N&PA-02
Level Revision: 0	Date: Dec/10/2018

Spacing according to each project



Tying reinforcement with annealed wire



**Detail 1**

DIMENSION	A	B	C	D	E	APPROXIMATE WEIGHT
1'- 4"x2'-0"-5 1/2"x2'-3 1/2"	1'- 4"	2'-5 1/2"x	2'-3 1/2"	1'- 4"	2'	1,116 lb
11 3/4"x2'-7 1/2" 2'-7 1/2"	11 3/4"	2'-7 1/2"	2'-7 1/2"	1'- 4"	2'-7 1/2"	1,288 lb
1'- 4"x2'-7 1/2" 3'-3 1/4"	1'- 4"	2'-7 1/2"	3'-3 1/4"	1'- 4"	3'-3 1/4"	1,764 lb
1'- 4"x2'-7 1/2" 11'- 4"	1'- 4"	2'-7 1/2"	11'- 4"	1'-5 3/4"	3'-3 1/4"	2,470 lb

## SPECIFICATIONS

- Concrete  $f'_c = 2845$  psi.
- 3/4" threaded rod Galvanized and 1/4" rebar stirrups, tied with annealed wire.
- Rebar stirrups @ 6".
- Polished concrete finish.
- 1/2" Rebar, L-shaped, with 2" coating concrete from the floor.
- Overlapping threaded rod with 1/2" rebar, minimum 7 3/4", tied with annealed wire cal. 18.
- Welded wire mesh 6 x 6 - 06/06.

## SHEET 2/2

Unscaled

Tolerances: +- 1.5 %	Standard: N/A Issue Date: N/A
Dimensions: In & Ft	Drawing No: BPA-02
Level Revision: 0	Date: Dec/10/2018