

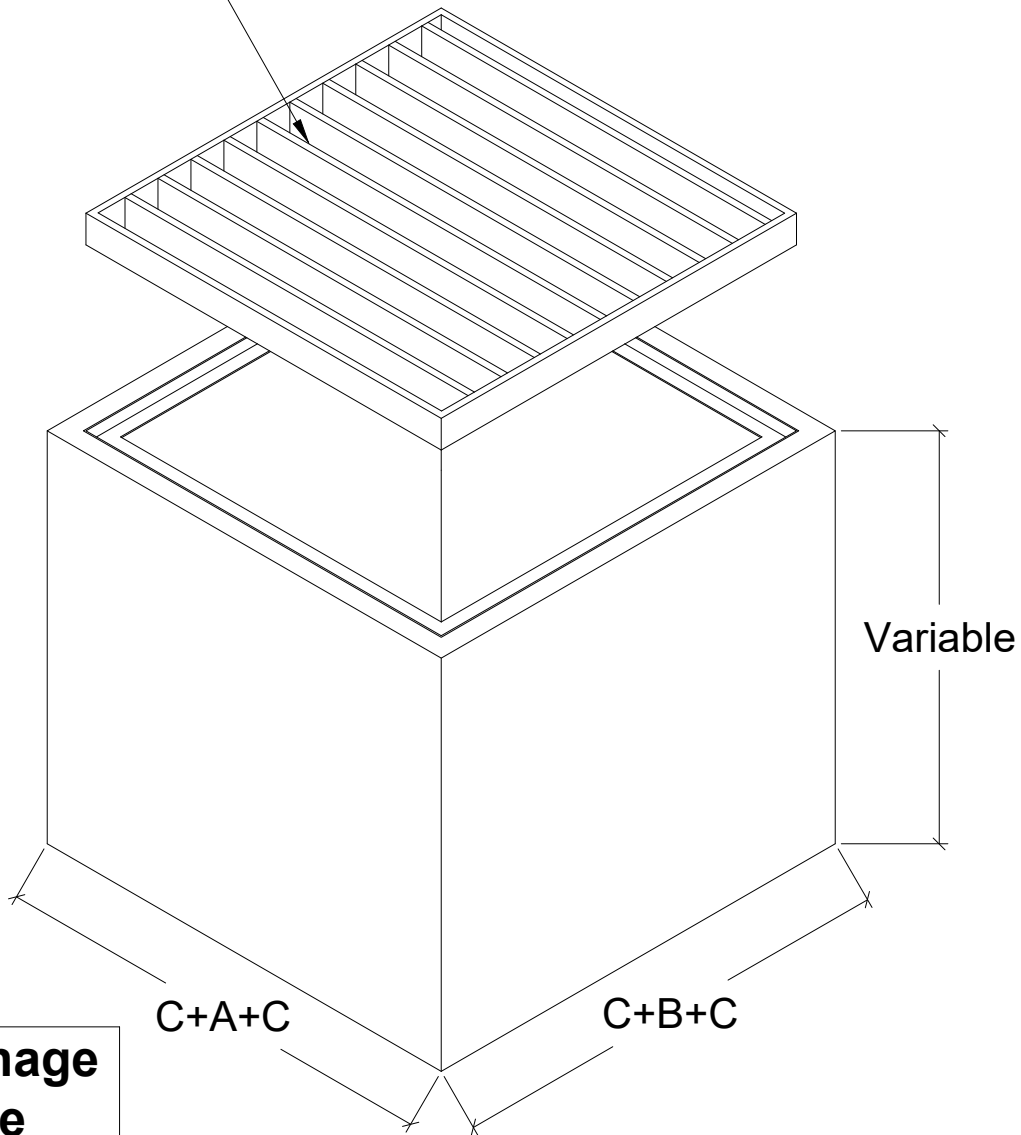


***Overview**

Capture and distribution for storm drainage at electrical substations.

RP-01

Steel grating
(Not included)



Storm Drainage Handhole		
A	B	C
20"	24"	4"
40"	40"	4"

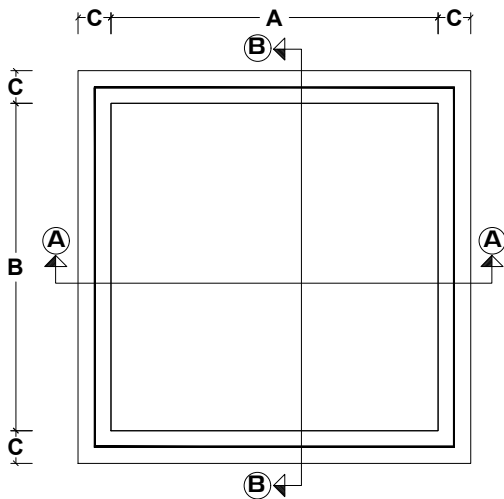
***Approximate weight**

Storm drainage handhole: Variable

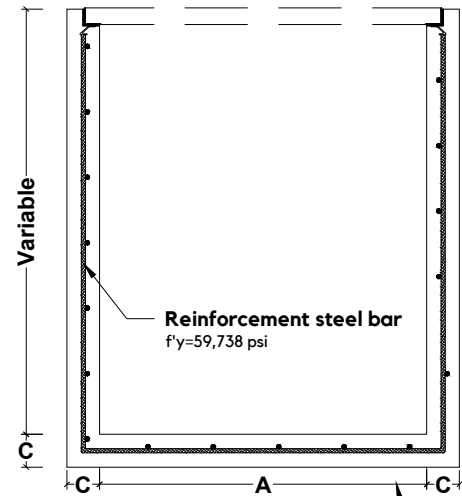
SHEET 1/2

Unscaled

Tolerances: +- 1.5 %	Standard:
	Issue Date:
Dimensions: In & Ft	Drawing No. RP-01
Level Revision: 0	Date: aug/21/2020

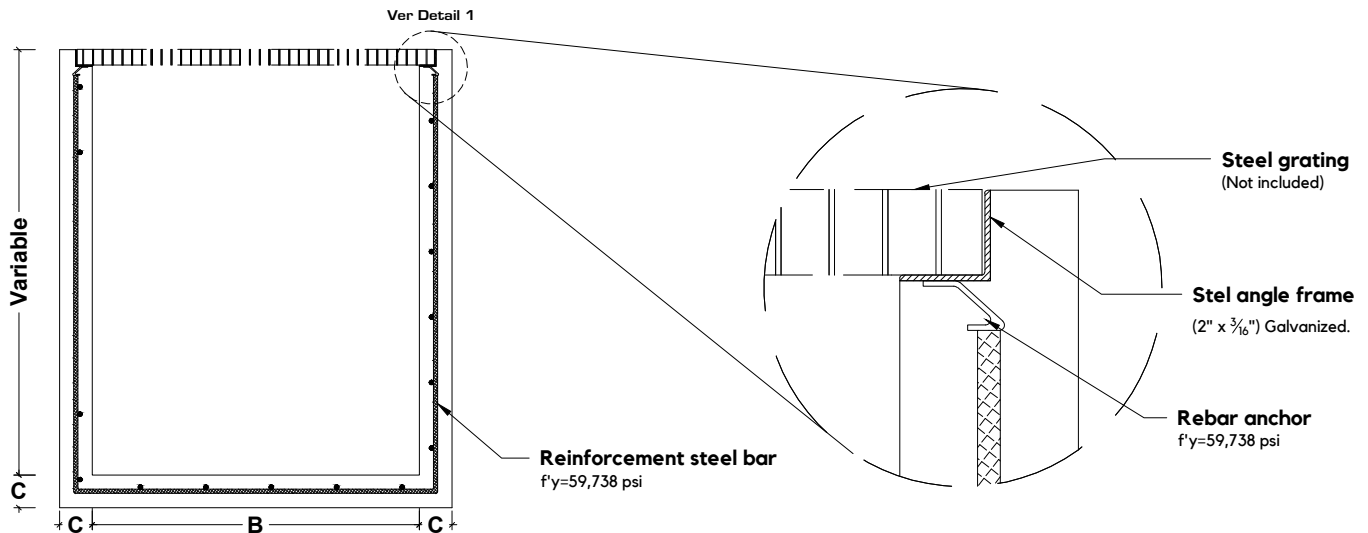


Plan View



Section B-B

Steel angle frame
(2" x 3/8") Galvanized.



Section A-A

Detail 1

SPECIFICATIONS

1. Concrete $f'c = 2845$ psi.
2. Reinforcing Steel bar.
3. Application membrane curing for concrete.
4. Galvanized hot dip steel angle frames.

Storm Drainage Handhole

A	B	C
20"	24"	4"
40"	40"	4"

SHEET 2/2

Unscaled

Tolerances: +- 1.5 %	Standard: Issue Date:
Dimensions: In & Ft	Drawing No. RP-01
Level Revision: 0	Date: aug/21/2020